

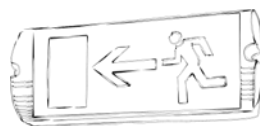
Product features

- Maintenance free battery, no need for watering
- Specific environmentally friendly formation process
- Spill & leak proof construction
- Analytical grade electrolyte
- Safety valves
- Container and lid made from ABS (UL 94 V-0 version available on request)
- Low self-discharge
- Non dangerous good according to FAA and IATA classification
- Complies with the following standards: IEC 60896-21/22, EUROBAT



Specification

Nominal voltage	6 V
Nominal capacity	110 Ah
Design life	12 years
Operating temperature	-20°C to 50°C (-4°F to 122°F)
Grid alloy	Lead-calcium-tin
Electrode design	Flat grid, pasted
Separator	Absorbent Glass Mat (AGM)
Active material	High purity lead and lead dioxide
Container and lid	ABS UL 94 HB (V-0 version on request)
Charge voltage	Float charging: 2.275 Vpc @ 20°C (68°F) Cyclic use: see instruction for use
	Maximum ripple: 0.05 C (A)
Electrolyte	Purified high grade sulfuric acid
Safety valve	EPDM rubber, opening pressure 10.5 to 14 kPa (1.5 to 2 psi), closing pressure ca. 7 kPa (1 psi)
Terminal	Insert M6



CTM GmbH encourages environmental awareness. Please observe all existing guidelines for recycling/disposal of lead.

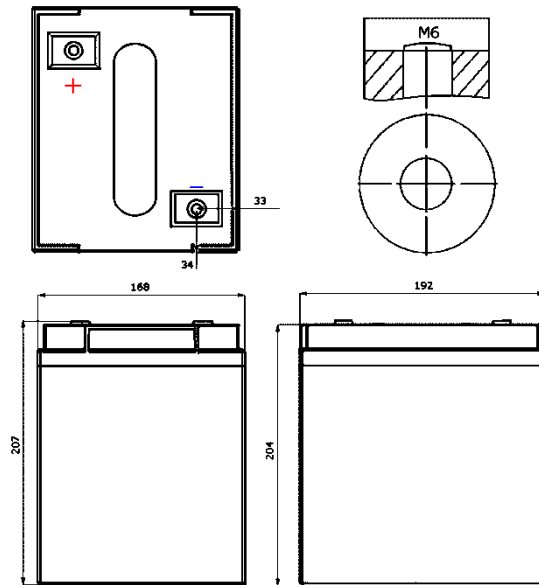
Physical Data

Dimension (±2 mm/± 0.08 inch)

Length	193 mm	7.6 inches
Width	168 mm	6.61 inches
Height	204 mm	8.07 inches
Height incl. terminal	207 mm	8.19 inches
Weight	17.7 kg	39.12 lbs.
Terminal	Standard	Insert M6
	Option	-

Electrical Data

Nominal voltage	6 V	
Capacity 20°C (68°F) to 1.7 Vpc	20 h	125 Ah
	10 h	118 Ah
	5 h	108 Ah
	1 h	78.6 Ah
	15 min	51.7 Ah
Internal resistance Impedance		1.7 mΩ
		1300 S
Temperature correction factors (C20)	40°C (104°F)	102%
	20°C (68°F)	100%
	0°C (32°F)	85%
	-15°C (5°F)	65%
Self-discharge at 20°C (68°F) - capacity after	1 month storage	98%
	3 months storage	94%
	6 months storage	86%
Short circuit current	A @ 20°C (68°F)	3200
Charging voltage	Float charging	2.27-2.30 Vpc 25-15°C (77-59°F)
	cyclic	See operating instruction



Constant current discharge – A @ 20°C (68°F)

Uf Vpc	5 min	10 min	15 min	20 min	30 min	60 min	2 h	3 h	5 h	8 h	10 h	20 h
1.85	319	220	178	149	113	67.7	38.7	28.2	18.7	12.5	10.2	5.4
1.80	341	235	190	159	121	72.3	41.3	30.2	19.9	13.4	10.9	5.7
1.75	363	250	202	169	129	77.0	44.0	32.1	21.2	14.2	11.6	6.1
1.70	371	255	207	173	131	78.6	44.9	32.8	21.7	14.5	11.9	6.2
1.65	376	258	209	175	133	79.6	45.5	33.2	-	-	-	-
1.60	379	261	211	177	134	80.4	45.9	33.5	-	-	-	-

Constant power discharge – Watt per cell @ 20°C (68°F)

Uf Vpc	5 min	10 min	15 min	20 min	30 min	60 min	2 h	3 h	5 h	8 h	10 h	20 h
1.85	717	439	345	291	222	134	74.7	53.7	36.1	24.4	20.0	10.8
1.80	765	469	369	311	238	143	79.8	57.4	38.6	26.0	21.4	11.5
1.75	814	499	392	331	253	152	84.9	61.1	41.1	27.7	22.7	12.3
1.70	832	510	401	338	258	155	86.8	62.4	42.0	28.3	23.2	12.6
1.65	843	516	406	343	262	157	87.9	63.2	-	-	-	-
1.60	851	521	410	346	264	159	88.8	63.8	-	-	-	-

Capacity – Ah @ 20°C (68°F)

Uf Vpc	2 h	3 h	5 h	8 h	10 h	20 h
1.85	77.4	84.7	93.4	100	102	108
1.80	82.6	90.5	99.7	107	109	115
1.75	87.9	96.2	106	114	116	123
1.70	89.9	98.4	108	116	119	126
1.65	91.0	99.6	-	-	-	-
1.60	91.9	101	-	-	-	-

