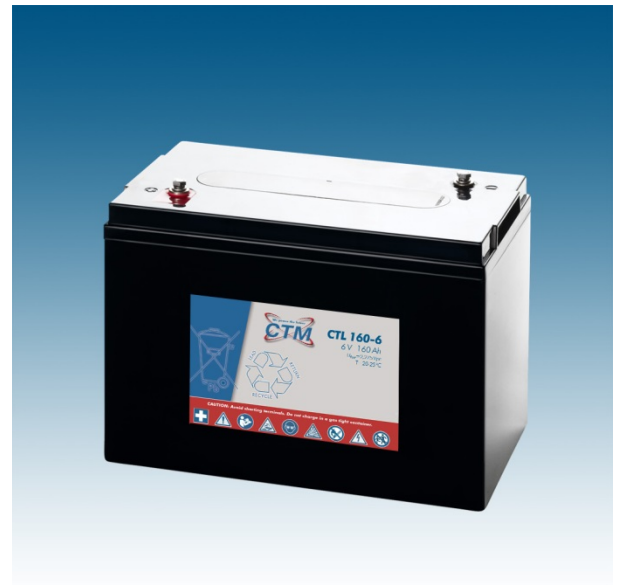


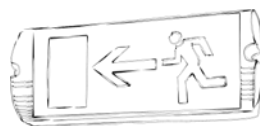
**Product features**

- Maintenance free battery, no need for watering
- Specific environmentally friendly formation process
- Spill & leak proof construction
- Analytical grade electrolyte
- Safety valves
- Container and lid made from ABS (UL 94 V-0 version available on request)
- Low self-discharge
- Non dangerous good according to FAA and IATA classification
- Complies with the following standards: IEC 60896-21/22, EUROBAT



**Specification**

Nominal voltage	6 V
Nominal capacity	160 Ah
Design life	12 years
Operating temperature	-20°C to 50°C (-4°F to 122°F)
Grid alloy	Lead-calcium-tin
Electrode design	Flat grid, pasted
Separator	<b>Absorbent Glass Mat (AGM)</b>
Active material	High purity lead and lead dioxide
Container and lid	ABS UL 94 HB (V-0 version on request)
Charge voltage	Float charging: 2.275 Vpc @ 20°C (68°F) Cyclic use: see instruction for use
Electrolyte	Maximum ripple: 0.05 C (A) Purified high grade sulfuric acid
Safety valve	EPDM rubber, opening pressure 10.5 to 14 kPa (1.5 to 2 psi), closing pressure ca. 7 kPa (1 psi)
Terminal	Insert M6



CTM GmbH encourages environmental awareness. Please observe all existing guidelines for recycling/disposal of lead.

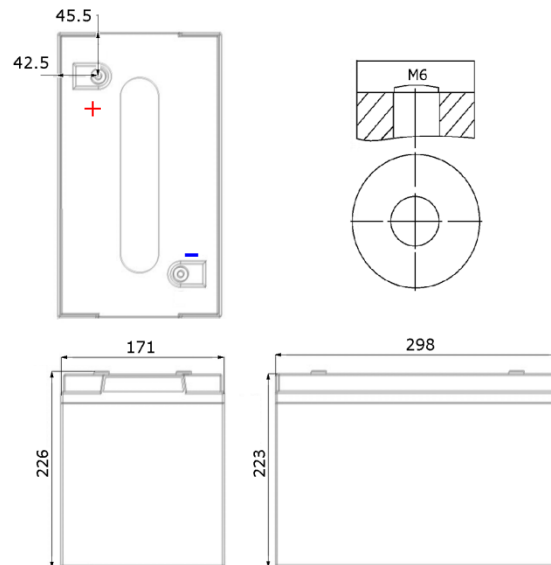
## Physical Data

Dimension (±2 mm/± 0.08 inch)

Height	298 mm	11.73 inches
Height incl. terminal	171 mm	6.73 inches
Length	223 mm	8.78 inches
Width	226 mm	8.90 inches
Weight	26.4 kg	58.34 lbs.
Terminal	Standard	Insert M6
	Option	-

## Electrical Data

Nominal voltage	6 V	
Capacity 20°C (68°F) to 1.7 Vpc	20 h	208 Ah
	10 h	189 Ah
	5 h	169 Ah
	1 h	112 Ah
	15 min	70.5 Ah
	Internal resistance	1.4 mΩ
Impedance	1500 S	
Temperature correction factors (C20)	40°C (104°F)	102%
	20°C (68°F)	100%
	0°C (32°F)	85%
	-15°C (5°F)	65%
Self-discharge at 20°C (68°F) - capacity after	1 month storage	98%
	3 months storage	94%
	6 months storage	86%
Short circuit current	A @ 20°C (68°F)	4600
Charging voltage	Float charging	2.27-2.30 Vpc 25-15°C (77-59°F)
	cyclic	See operating instruction



## Constant current discharge – A @ 20°C (68°F)

Uf Vpc	5 min	10 min	15 min	20 min	30 min	60 min	2 h	3 h	5 h	8 h	10 h	20 h
1.85	397	303	243	205	159	96.4	57.7	42.9	29.2	19.8	16.3	8.9
1.80	425	324	259	219	170	103	61.7	45.9	31.2	21.1	17.4	9.5
1.75	452	344	276	233	181	110	65.6	48.8	33.2	22.4	18.5	10.2
1.70	462	352	282	238	185	112	67.0	49.9	34.0	22.9	19.0	10.4
1.65	467	356	285	241	187	113	67.9	50.5	-	-	-	-
1.60	472	360	288	243	189	115	68.6	51.0	-	-	-	-

## Constant power discharge – Watt per cell @ 20°C (68°F)

Uf Vpc	5 min	10 min	15 min	20 min	30 min	60 min	2 h	3 h	5 h	8 h	10 h	20 h
1.85	816	559	455	390	312	195	113	80.6	54.3	37.4	31.0	17.4
1.80	872	597	486	416	333	208	120	86.1	58.0	39.9	33.1	18.6
1.75	928	635	517	443	355	221	128	91.6	61.7	42.5	35.2	19.8
1.70	948	649	528	453	362	226	131	93.6	63.1	43.4	36.0	20.2
1.65	960	658	535	458	367	229	132	94.8	-	-	-	-
1.60	969	664	540	463	371	231	134	95.7	-	-	-	-

## Capacity – Ah @ 20°C (68°F)

Uf Vpc	2 h	3 h	5 h	8 h	10 h	20 h
1.85	115	129	146	158	163	179
1.80	123	138	156	169	174	191
1.75	131	146	166	180	185	204
1.70	134	150	170	184	190	208
1.65	136	152	-	-	-	-
1.60	137	153	-	-	-	-

